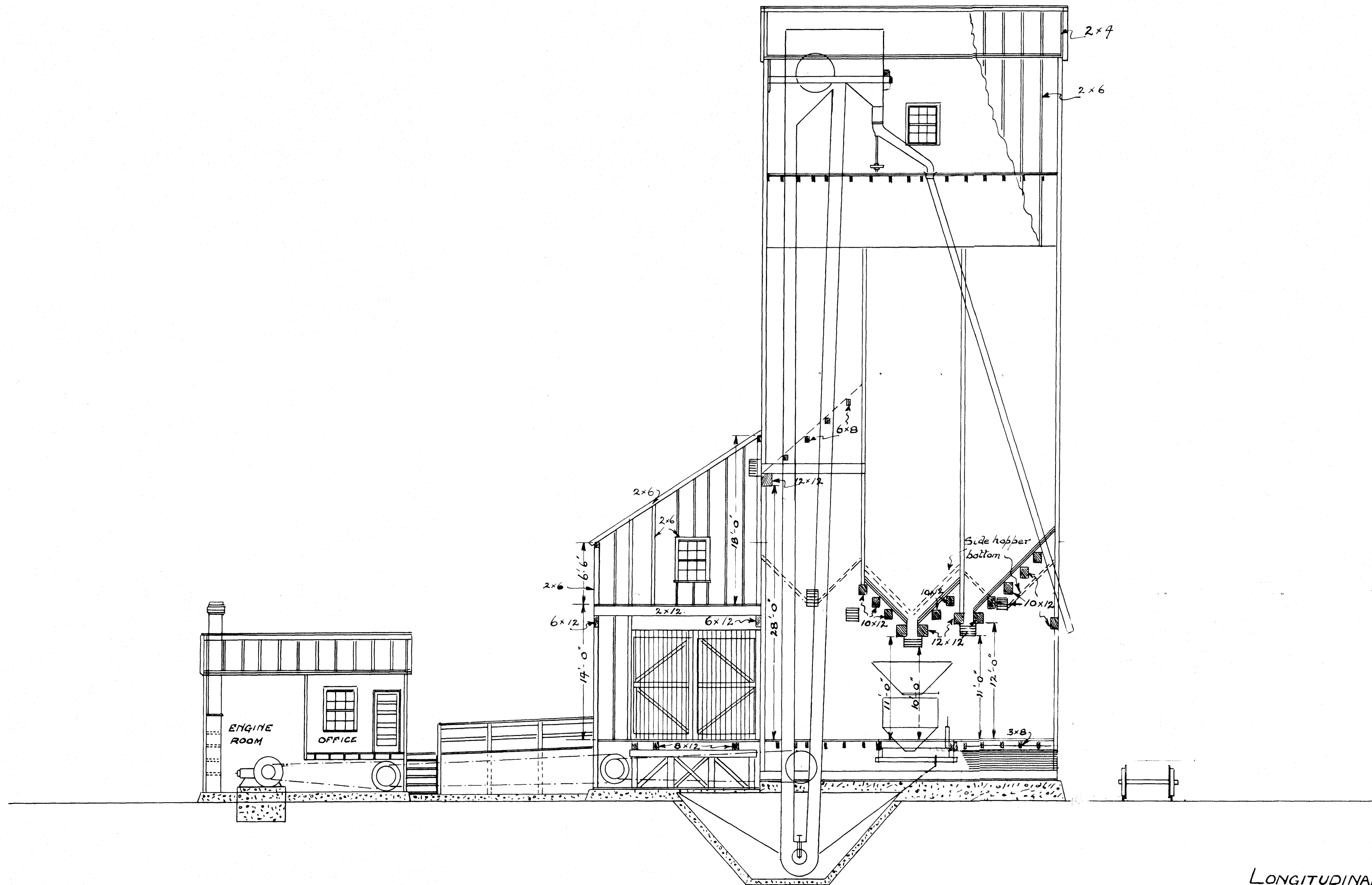


SASKATCHEWAN POOL ELEVATORS LTD.

1929



LONGITUDINAL SECTION

LONGITUDINAL SECTION
35000 BUSHEL ELEVATOR

SASKATCHEWAN POOL ELEVATORS LTD.

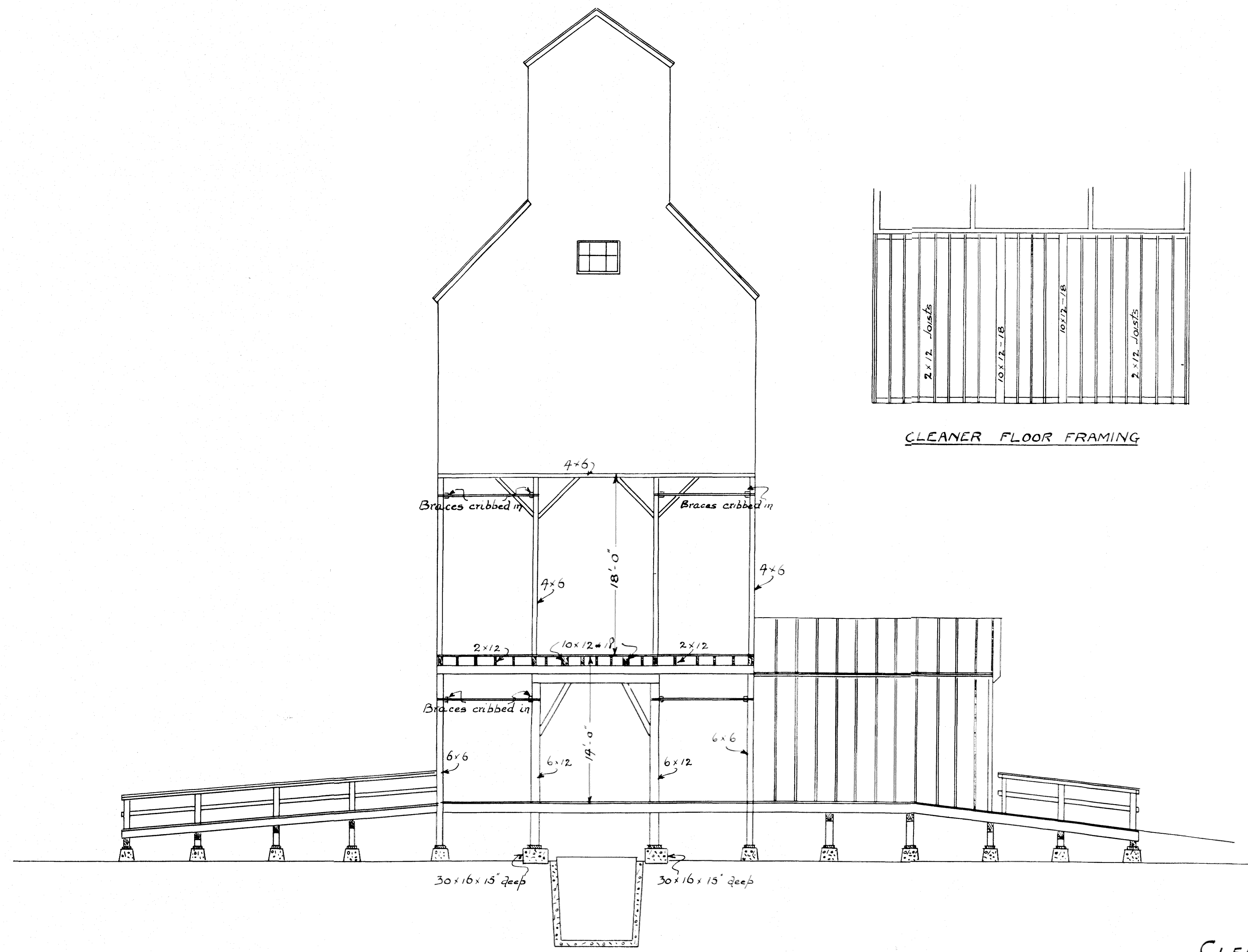
DRAWN MAR 25-1929 REGINA SASK

APPROVED *M. Spratt*

CHIEF ENGINEER

SHEET #2

SCALE $\frac{1}{8}'' = 1'-0''$



DRIVEWAY ELEVATION & CLEANER SUPPORTS

CLEANER SHED FRAMING
35000 BUSHEL ELEVATOR

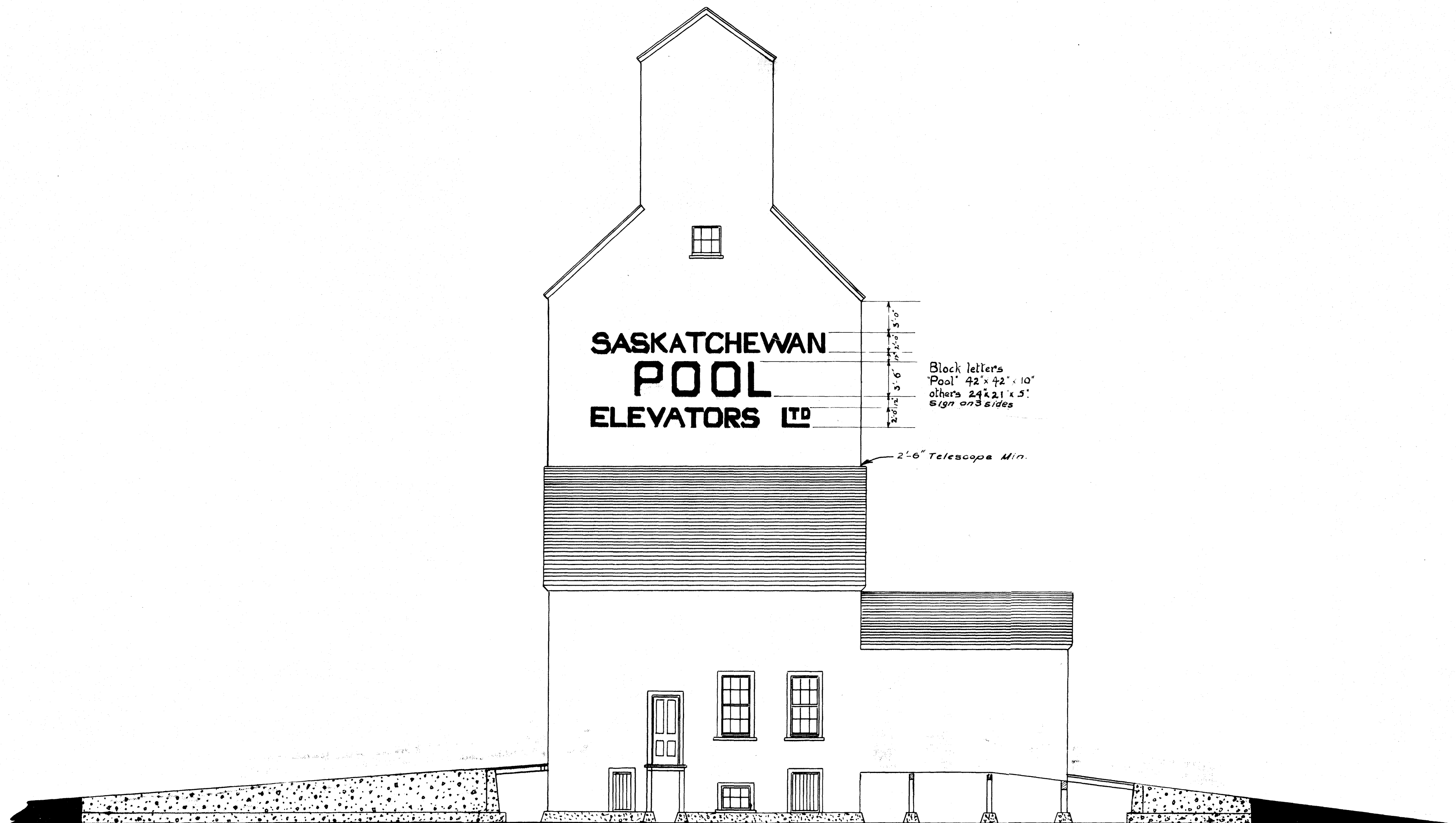
SASKATCHEWAN POOL ELEVATORS LTD.

DRAWN MAR 25-1929 REGINA SASK

APPROVED *M. Smith*

CHIEF ENGINEER SHEET #4

SCALE 1/8" = 1'-0"



SASKATCHEWAN
POOL
 ELEVATORS LTD

Block letters
 'Pool' 42" x 42" x 10"
 others 24" x 21" x 5"
 sign on 3 sides

2'-0" 3'-6" 1'-2-0" 3'-0"

2'-6" Telescope Min.

FRONT ELEVATION

FRONT ELEVATION
 35000 BUSHEL ELEVATOR

SASKATCHEWAN POOL ELEVATORS LTD

DRAWN MAR 25 - 1929 REGINA SASK

APPROVED *M. Spatt*

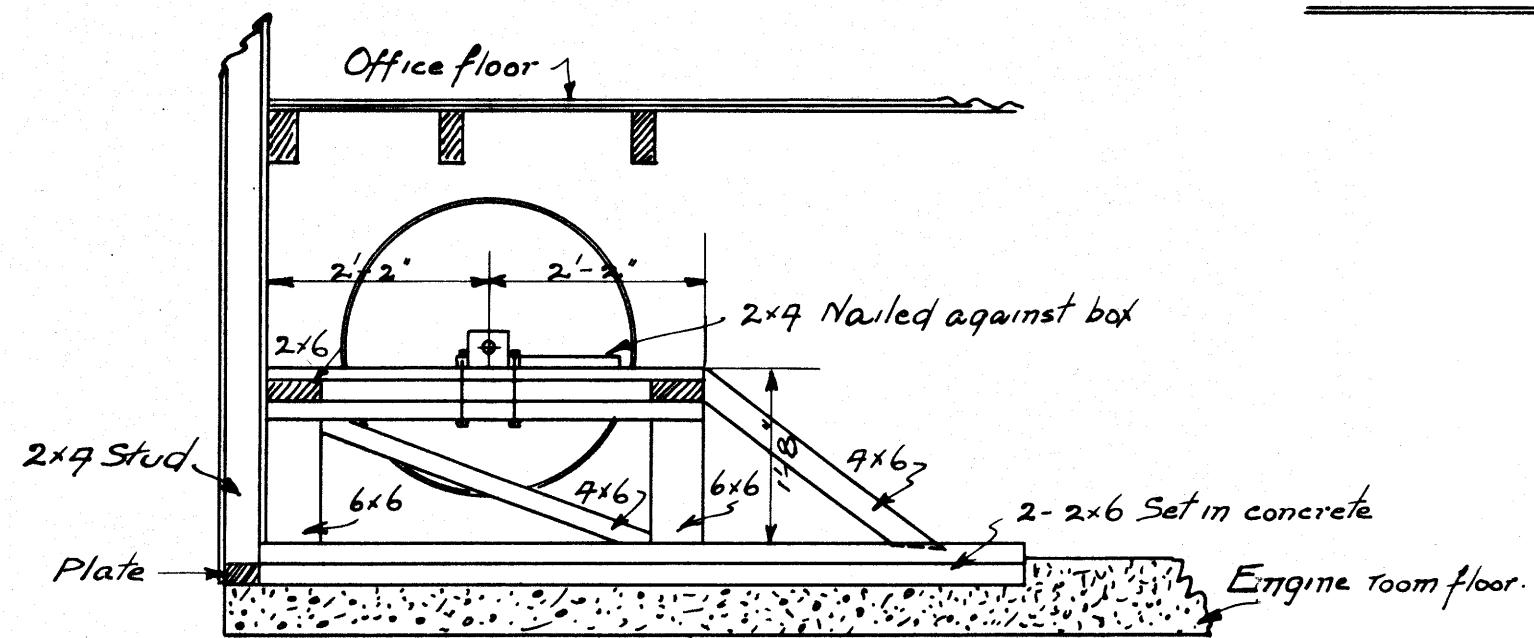
CHIEF ENGINEER SHEET #5

REVISED APRIL 1947

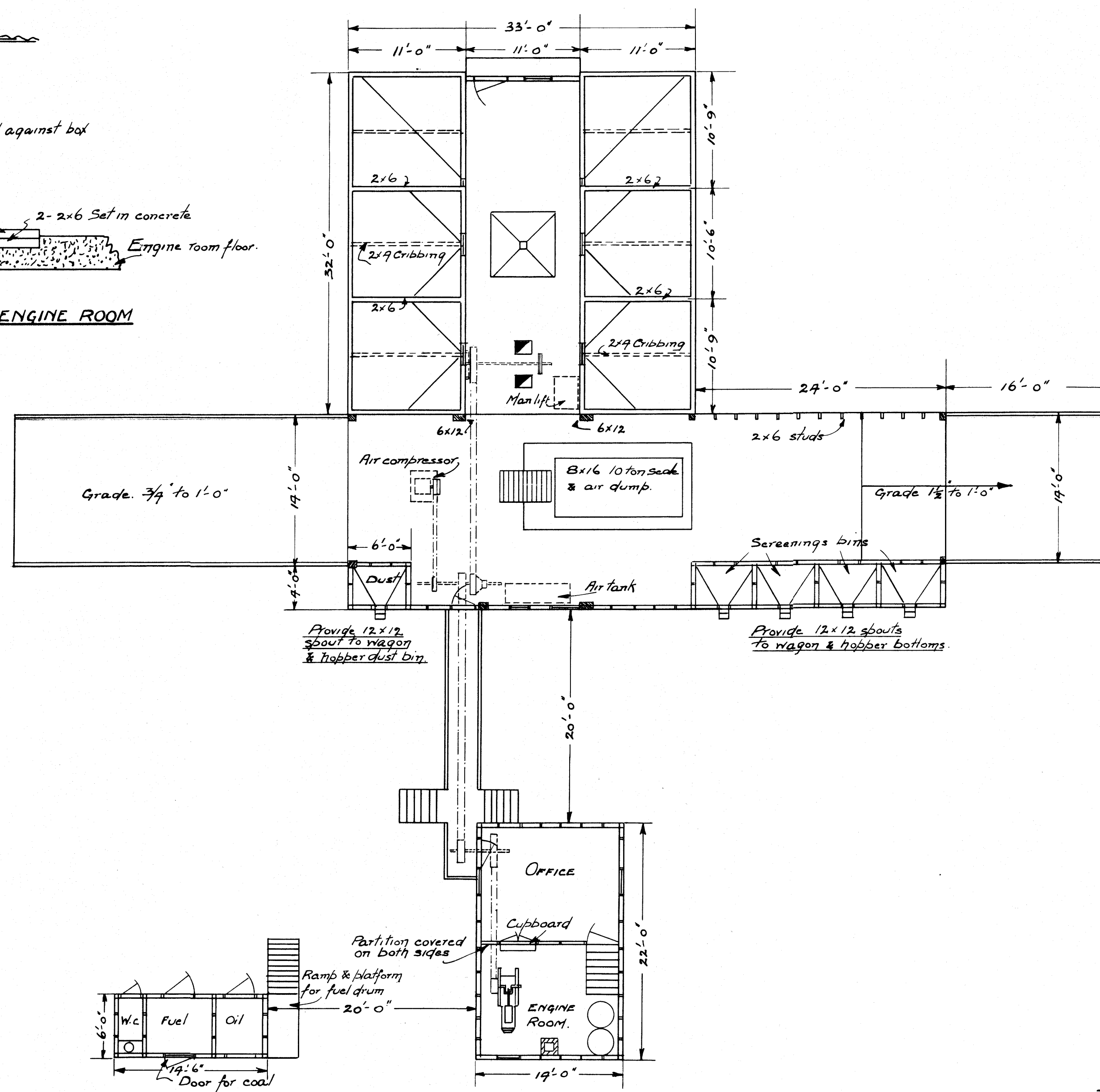
SCALE 1/8" = 1'-0"

F-9-W

3/4



DETAIL OF BRIDGE TREE IN ENGINE ROOM
SCALE 1/2" = 1'-0"



PLAN OF WORK FLOOR
SCALE 1/8" = 1'-0"

WORK FLOOR PLAN
35000 BUSHEL ELEVATOR
SASKATCHEWAN POOL ELEVATORS LTD.
DRAWN MAR 25-1929 REGINA SASK
APPROVED [Signature]
CHIEF ENGINEER SHEET #6 4/6